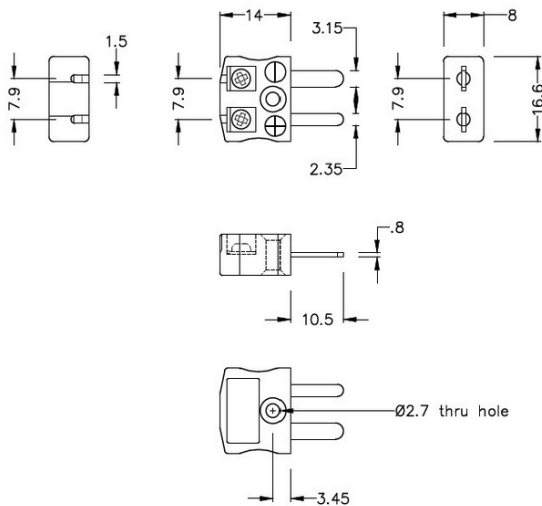


Connettore a filo rapido in miniatura AM-J-MQ Tipo J ANSI



Miniature in-line Plug - Quick Wire
(dimensions in mm)

Labfacility are the UK's leading manufacturer of Temperature Sensors, Thermocouple Connectors and associated Temperature Instrumentation and stockings of Thermocouple Cables. The Company has been trading since 1971 and is ISO9001 accredited.

Connettore termocoppia in miniatura Plug a filo rapido AM-J-MQ Tipo J ANSI

Connettore in miniatura con perni piatti. Facile collegamento jab-in per la terminazione rapida. Basta premere-in filo & stringere vite.

Indicazioni**Specifications**

Product Code	XE-9071-001
General Description	Easy jab-in connection for rapid termination.
Thermocouple Type	J ANSI
Connector Type	Quick Wire Plug
Connector Size	Miniature
Colour	Black
Max. Temperature	220°C
Pins	Flat Pins
+Positive Contact	Iron
-Negative Contact	Copper Nickel
Standards Met	BS EN 50212:1997. RoHS