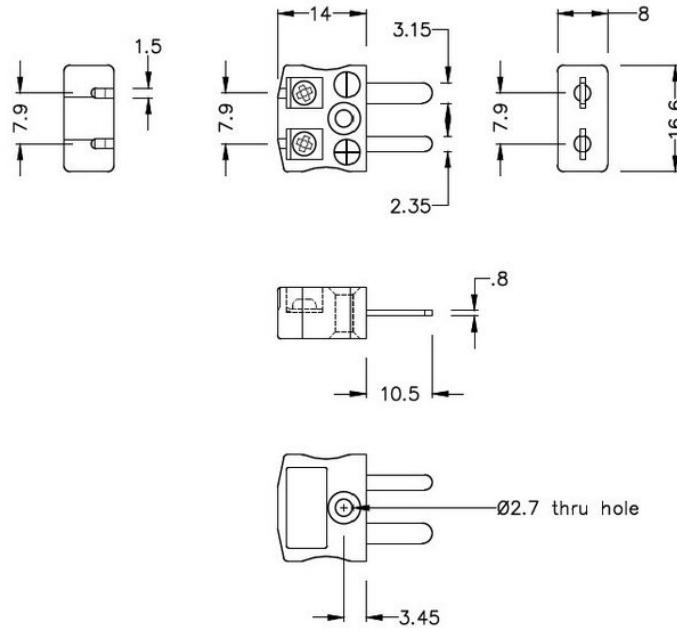
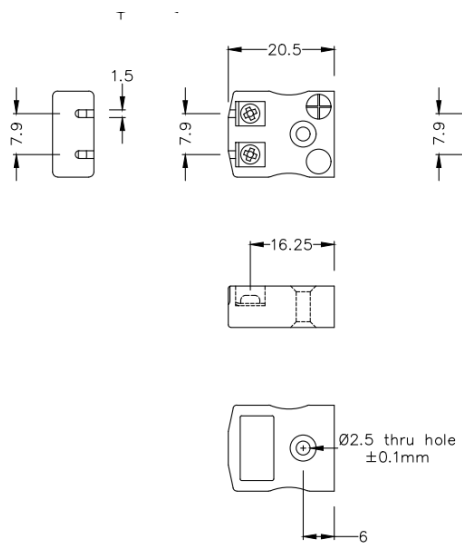


# Connettore a termocoppia a filo rapido miniaturizzato Spina e presa AM-K-MQ + FQ Tipo K ANSI



**Miniature in-line Plug - Quick Wire**  
(dimensions in mm)



**Miniature in-line Socket - Quick Wire**  
(dimensions in mm)



Labfacility are the UK's leading manufacturer of Temperature Sensors, Thermocouple Connectors and associated Temperature Instrumentation and stockings of Thermocouple Cables. The Company has been trading since 1971 and is ISO9001 accredited.

**Connettore per termocoppia miniaturizzato Spina a filo rapido e presa AM-K-MQ + FQ Tipo K ANSI**

Connettore miniaturizzato con spine piatte. Facile connessione jab-in per una rapida terminazione. Basta spingere il filo e stringere la vite.

**Indicazioni****Specifications**

<b>Product Code</b>	XE-1020-001
<b>General Description</b>	Easy jab-in connection for rapid termination
<b>Thermocouple Type</b>	K ANSI
<b>Connector Size</b>	Miniature
<b>Connector Type</b>	Quick Wire Plug & Socket
<b>Colour</b>	Yellow
<b>Max. Temperature</b>	220°C
<b>Pins</b>	Flat Pins
<b>+Positive Contact</b>	Nickel Chromium
<b>-Negative Contact</b>	Nickel Alloy
<b>Standards Met</b>	BS EN 50212:1997. RoHS