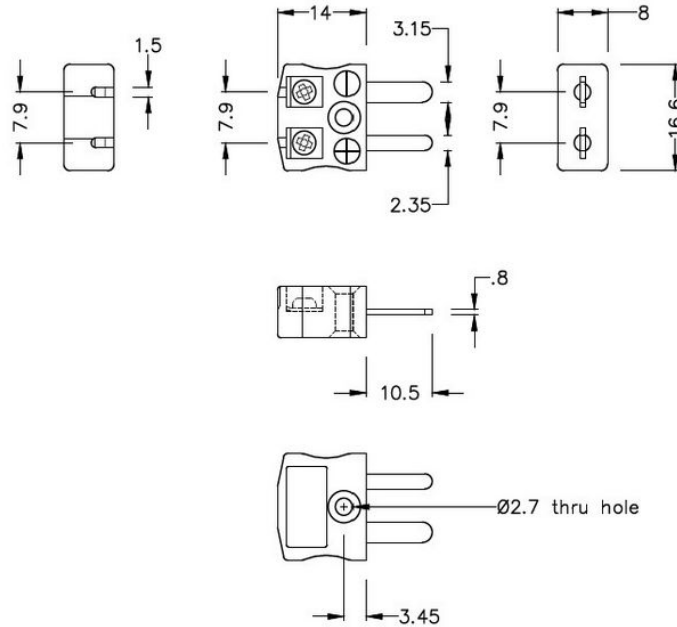
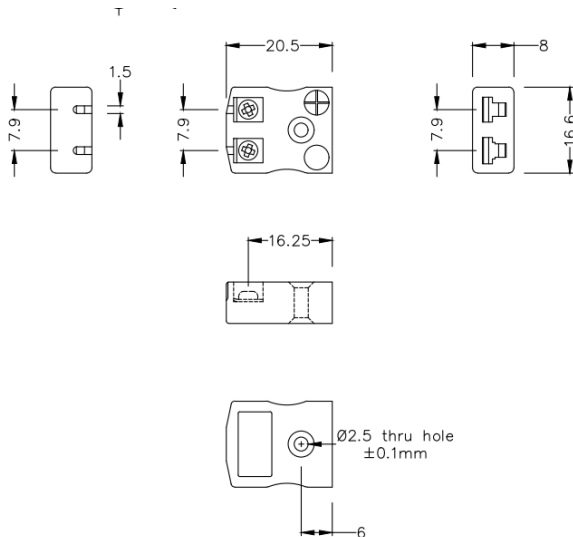


Connettore a filo rapido miniaturizzato Spina e presa per termocoppia IM-K-MQ + FQ Tipo K IEC



Miniature in-line Plug - Quick Wire
(dimensions in mm)



Miniature in-line Socket - Quick Wire
(dimensions in mm)



Labfacility are the UK's leading manufacturer of Temperature Sensors, Thermocouple Connectors and associated Temperature Instrumentation and stockings of Thermocouple Cables. The Company has been trading since 1971 and is ISO9001 accredited.

Connettore miniaturizzato per termocoppia Spina e presa a filo rapido IM-K-MQ + FQ Tipo K IEC

Connettore miniaturizzato con spine piatte. Facile connessione jab-in per una rapida terminazione. Basta spingere il filo e stringere la vite.

Indicazioni**Specifications**

Product Code	XE-1006-001
General Description	Easy jab-in connection for rapid termination
Thermocouple Type	K IEC
Connector Size	Miniature
Connector Type	Quick Wire Plug & Socket
Colour	Green
Max. Temperature	220°C
Pins	Flat Pins
+Positive Contact	Nickel Chromium
-Negative Contact	Nickel Alloy
Standards Met	BS EN 50212:1997. RoHS